



## Aluminium Slab/Bar Band Saw

High Speed Cutting  
Production Line →

- ◉ Full-Range Capacity.
- ◉ Easy Operation, Powerful Functions.
- ◉ Robust Cutting, High Accuracy
- ◉ Cost Saving

## 鋁合金圓錠、扁錠 高速切割生產線

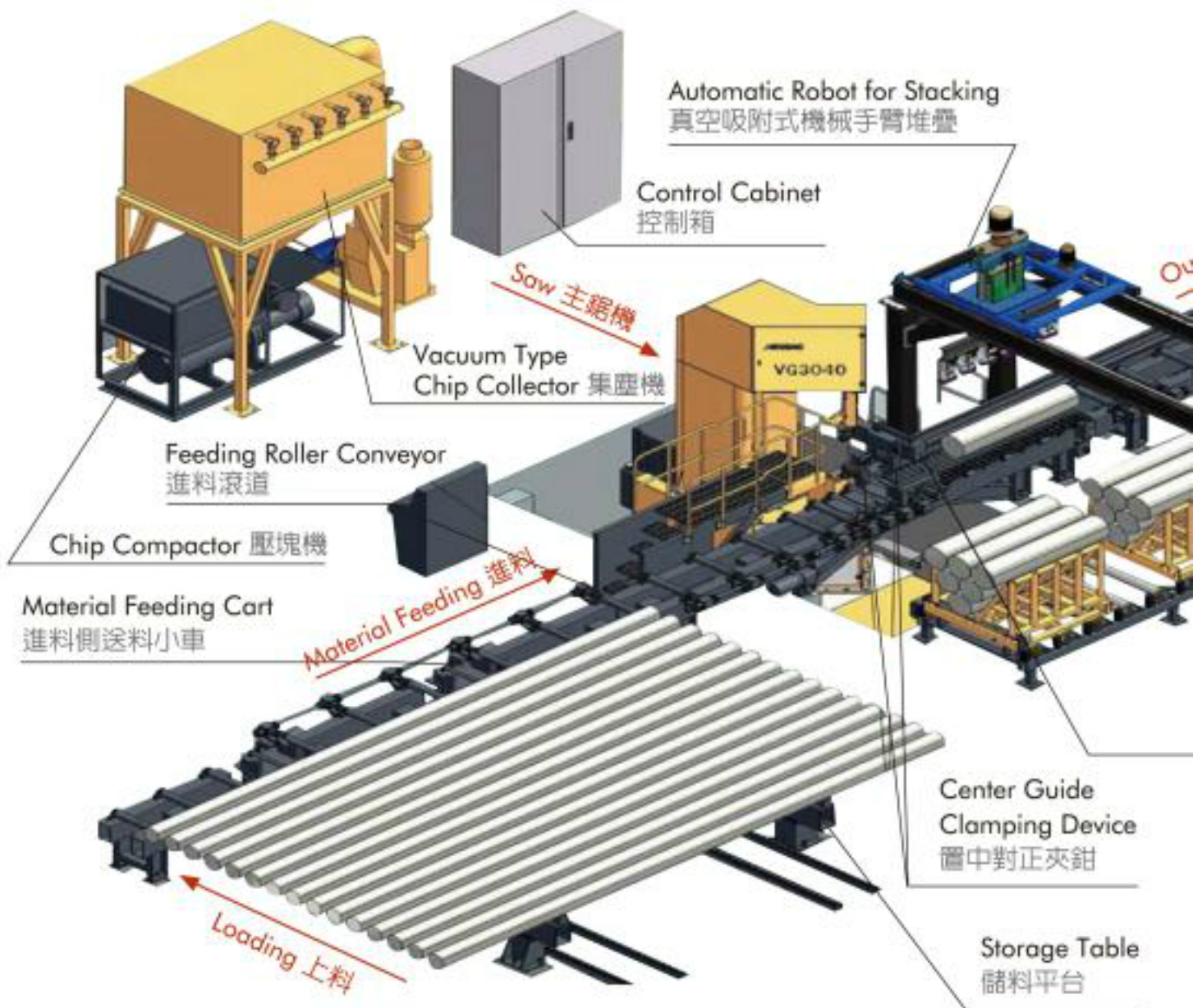
- ◉ 規格齊全，機種多
- ◉ 操作簡單，功能強
- ◉ 強力切削，精度高
- ◉ 降低生產成本

**ISO9001** 

**EVERISING MACHINE CO.**  
合濟工業股份有限公司

# ALUMINIUM SLAB

## Production Line For High Speed Cutting Aluminium 鋁合金圓錠立式高速帶鋸切割生產線



Storage table & auto loading device  
儲料台及自動上料裝置



Multiple bars cutting  
多根圓棒同時鋸切



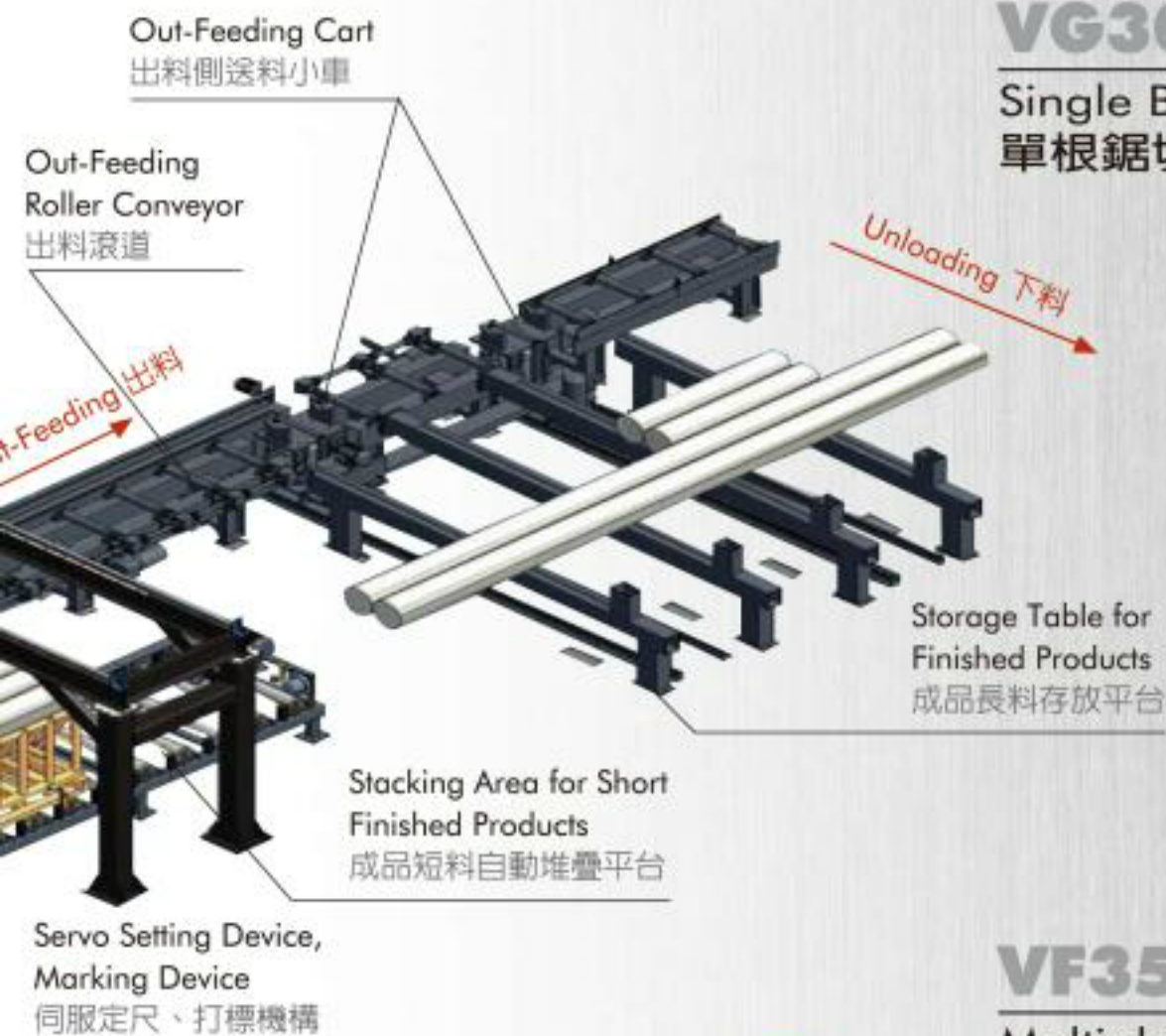
Auto unloading system  
自動下料



Test piece cutting  
鋸切試片



# / BAR BAND SAW



## VG3040

Single Bar Cutting  
單根鋸切



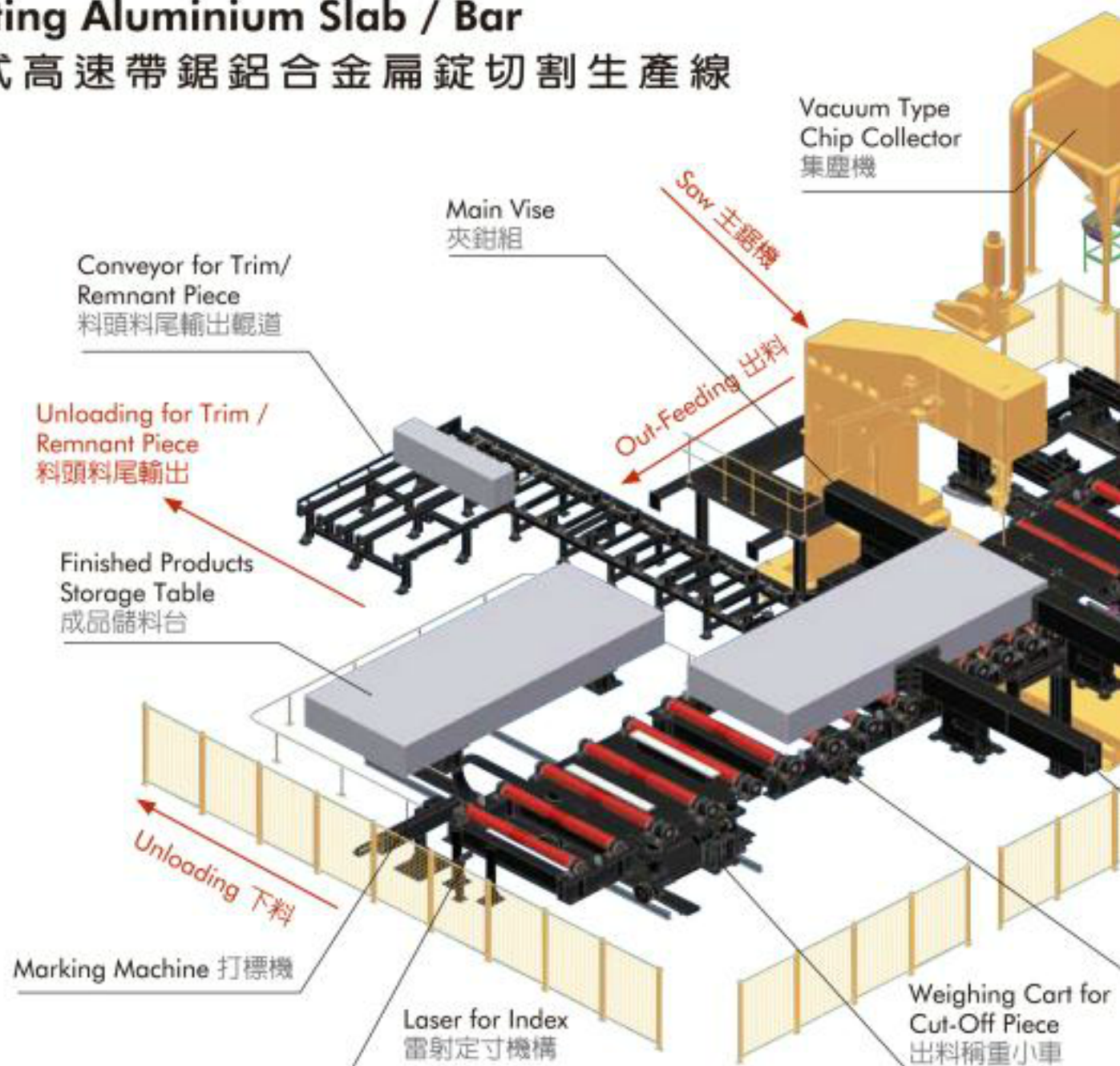
## VF3580-15

Multiple Bars Cutting  
多根鋸切

機型 Model	單位 Unit	VG3040	VG4580	VG8585	VF3580-15
鋸切能力 Capacity	mm	300Hx400W	450Hx800W	850Hx850W	350Hx800W
鋸帶規格 Blade Size	mm	8320Lx34Wx1.1t	11045Lx41Wx1.3t	13510Lx41Wx1.3t	7560Lx34Wx1.1t
鋸帶馬達 Blade Motor	Kw	37	55	75	37
鋸帶線速度 Blade Speed	m/min	500~3000	500~3000	500~3000	500~3000
進給速度 Feeding Speed	mm/min	0~3000	0~3000	0~4000	0~3000
選配件 Options		吸屑機、壓快機、打標機、機械手、稱重裝置 Chip collector, Chip Compactor, Marking Machine, Robot, Weighing device Stacking device			

# ALUMINIUM SLAB

## Vertical Band Sawing Machine for Cutting Aluminium Slab / Bar 立式高速帶鋸鋁合金扁錠切割生產線



3



Cutting  
鋸切實例



Saw Head  
鋸弓實例



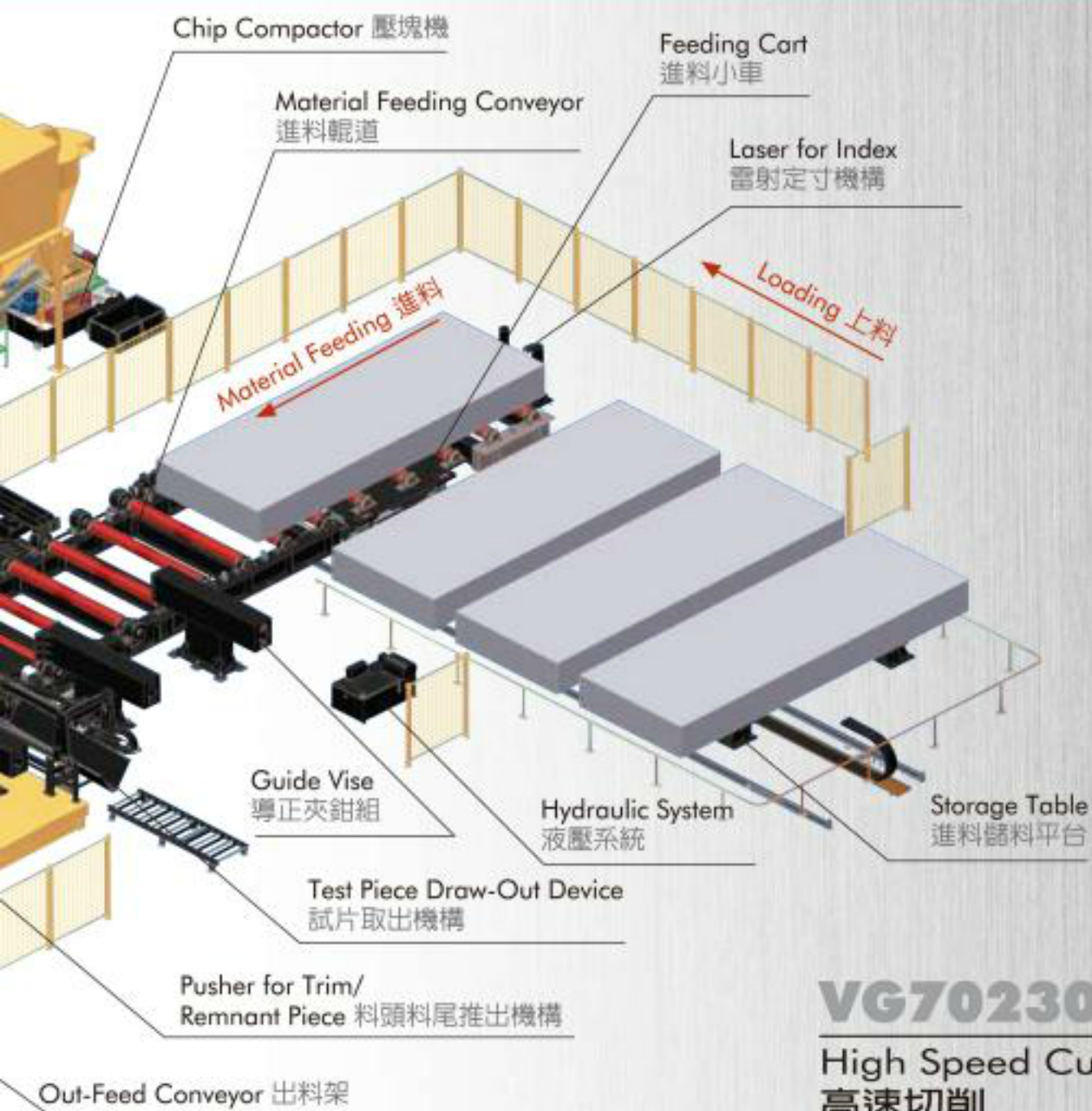
Power Conveyor  
電動輸送道



Test Piece Draw-Out  
Device  
試片取出機構



# / BAR BAND SAW



4

## VG70230

High Speed Cutting  
高速切削

機型 Model	單位 Unit	VG70230
鋸切能力 Capacity	mm	●700 ■2300Wx700H
鋸帶規格 Blade Size	mm	16590L x 41W x 1.3t
鋸帶馬達 Blade Motor	Kw	75
鋸帶線速度 Blade Speed	m/min	500~3000
進給速度 Feeding Speed	mm/min	0~3000
鋸帶翻角度 Blade Turning Angle		90°
選配件 Options		吸屑機、壓塊機、打標機、稱重裝置 Chip collector, Chip Compactor, Marking Machine, Weighing device

# ALUMINIUM SLAB

## Sawing Machine for Aluminium Alloy 鋁合金切割生產線

### H-3010 Band Saw

For Cutting Aluminium Plate  
(Horizontal Cutting)  
鋁板切削



5



H-3010 Cutting  
鋁板切削實例



ALS1356 Cutting  
圓盤鋸切削實例



Auto Loading Device  
自動上料裝置  
(ALS1356)



Saw Head Feeding  
System  
進刀系統 (PAL-150A)



# / BAR BAND SAW



## ALS1356 Circular Saw

For Cutting Aluminium Slab  
鋁錠切削圓盤鋸

## PAL-150A Circular Saw

For Cutting Aluminium Bar  
鋁棒切削



6

機型 Model	單位 Unit	H-3010	ALS1356	PAL-150A
鋸切能力 Capacity	mm	3000W x 1000H x 5000L	990~1310W 330~560H	● Ø40~150 ■ 40~130
鋸帶規格 Blade Size	mm	16940L x 80W x 1.6t	Ø1870 x 15 x 12t	Ø480L x 2.7 x 2.3t
鋸帶馬達 Blade Motor	Kw	22Kw (30HP)	150Kw 4P / 75KW 8P	15Kw (20HP)
鋸帶線速度 Blade Speed	m/min	300~1000	400~2000	2000~5000
鋸帶翻角度 Blade Turning Angle	mm/min	0	-	-
機械尺寸 Machine Size	mm	13400L x 8200W x 5300H	15200L x 9900W x 3850H	7200L x 3050W x 2300H
設備重量 Machine Weight	Kg	40000	52000	4900

The logo for Everising Machine Co. features the word "EVERISING" in a bold, italicized, sans-serif font. The letter "E" is stylized with three diagonal green and black stripes.

**EVERISING MACHINE CO.**  
**合濟工業股份有限公司**

No.1 Jingke 1st Road, Nantun  
District, Taichung 408, Taiwan.  
TEL: +886-4-2350-5300 / 2359-3178  
FAX: +886-4-2350-5420  
E-mail: [evrs@everising.com.tw](mailto:evrs@everising.com.tw)

台中市南屯區精科一路1號  
總機: +886-4-23593178  
內銷: +886-4-23593003  
E-mail: [evrs@everising.com.tw](mailto:evrs@everising.com.tw)

<http://www.everising.com>

Aluminium Slab/Beam  
Band Sawing Machine